

Lighting Control  
and Transformer  
By Emaux



With over 35 years of solid experience and expertise together with our devoted staffs, Emaux has evolved from a Swimming Pool and Spa Equipment manufacturer to a company that is focused in Water Technology. A company that provides solutions to clients in water related issues.

**Water for life and leisure**

 **Emaux**  
*water technology*

[www.emauxgroup.com](http://www.emauxgroup.com)



### Remote Control & Control Box for Multiple Lights



The AC power of 600W at maximum fed into the control box is divided into 2 lines each of which can support up to 300W of load (10 LED lights). The control for lights on the same line is by nature synchronized meanwhile synchronization of control over both lines (all lights) is possible.

#### Features

- Maximum load of 600W with power indicator
- Made from fire-proof ABS material
- Electrical overload & leakage protection
- Two control modes-manual mode and timer mode in which the ON/OFF time of load can be set.
- 65 IP rating suitable for outdoor use.
- A remote control is provided to interact with control box from distance.
- Simple and easy operation with 4 keys:
- 10 effects are numbered; RESET key set all lights to the first effect;
- POOL and SPA key are used to change effect of lights connected to POOL line and SPA line respectively;
- S+P key can change effect of all lights at the same time.

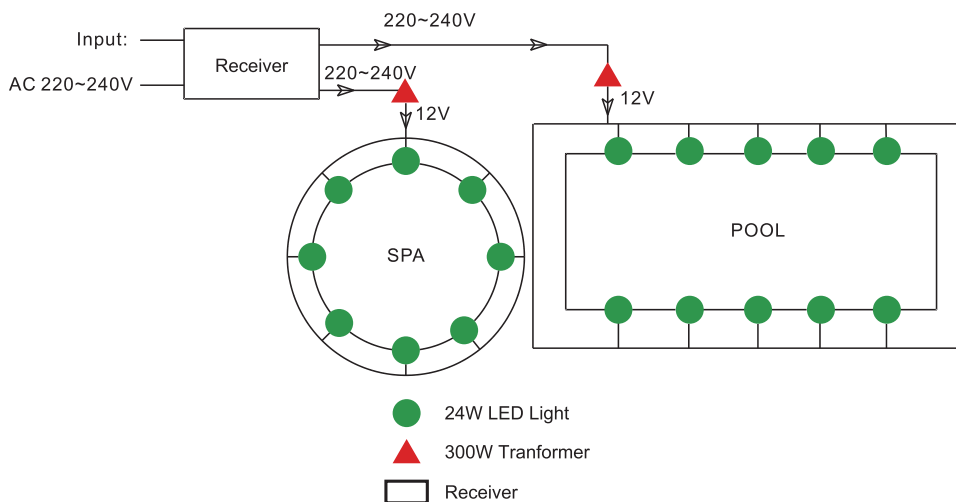


Underwater Light Control Box



Remote Control

Code	Model No	Description
08040009	N/A	Underwater Light Control Box with Remote (2*300W/220-240V)





## SQUARE TYPE TRANSFORMERS

### AAO Series with UL certificates

Model No	Code 120V/60Hz	Description
AAO-12875-T	88320202	12V/105W
AAO-12125-T	88320203	12V/150W
AAO-12167-T	88320204	12V/200W



### TRA Series with CE certificate

Model No	Code 220V-230V/60Hz	Code 230V-240V/50Hz	Code 220V-230V/50Hz	Description
TRA-10VA	88321701	88320701	88320501	12V/10W
TRA-20VA	88321706	88320706	88320506	12V/20W
TRA-50VA	88321707	88320707	88320507	12V/50W
TRA-105VA	88321702	88320702	88320502	12V/105W
TRA-150VA	88321703	88320703	88320503	12V/150W
TRA-200VA	88321704	88320704	88320504	12V/200W
TRA-300VA	88321705	88320705	88320505	12V/300W
TRA-400VA	88321708	88320708	88320508	12V/400W
TRA-500VA	88321710	88320710	88320510	12V/500W



## ROUND TYPE TRANSFORMERS

### TRC Series with IP67

Model No	Code 220V-230V/60Hz	Code 230V-240V/50Hz	Code 220V-230V/50Hz	Description
TRC-10VA	88321901	88321501	88321301	12V/10W
TRC-20VA	88321906	88321506	88321306	12V/20W
TRC-50VA	88321907	88321507	88321307	12V/50W
TRC-105VA	88321902	88321502	88321302	12V/105W
TRC-150VA	88321903	88321503	88321303	12V/150W
TRC-200VA	88321904	88321504	88321304	12V/200W
TRC-300VA	88321905	88321505	88321305	12V/300W
TRC-400VA	88321908	88321508	88321308	12V/400W
TRC-500VA	88321909	88321509	88321309	12V/500W



## JUNCTION BOX

Model No	Code 120V/60Hz	Description
EM2823A	08060001	Junction box only
EM2823B	08060002	With adaptors
EM2823C	88250112	Complete set with 1m hose and adaptors





## Control Box with Timer

**NEW**

### Features

- Maximum load of 2.2kW with power indicator
- Suitable for Pool & Spa Pump and Underwater Lights
- Made from durable ABS material
- Electrical overload & leakage protection
- Two control modes-manual mode and timer mode to control the operation time.
- IP65 rating suitable for outdoor use.

Code	Model No	Description
88330101	KZD2200	Pool & Spa Control Box 2.2kW/220V-50Hz/60Hz-AC
88330201	KZD2200	Pool & Spa Control Box 2.2kW/110V-50Hz/60Hz-AC



**Available from:**

 **Emaux**  
water technology

[www.emauxgroup.com](http://www.emauxgroup.com)

Waterpark & Aquarium / Competition Pool / Residential Pool / Commercial Pool / Water Treatment / Water Feature

All specifications are subject to change without notice © Copyright 2013 Emaux Swimming Pool Equipment Co., Ltd

Photos are for reference only, contents are subject to change without prior notice.